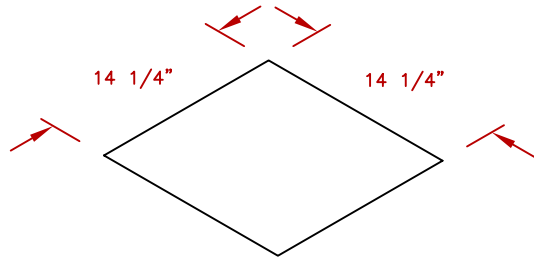
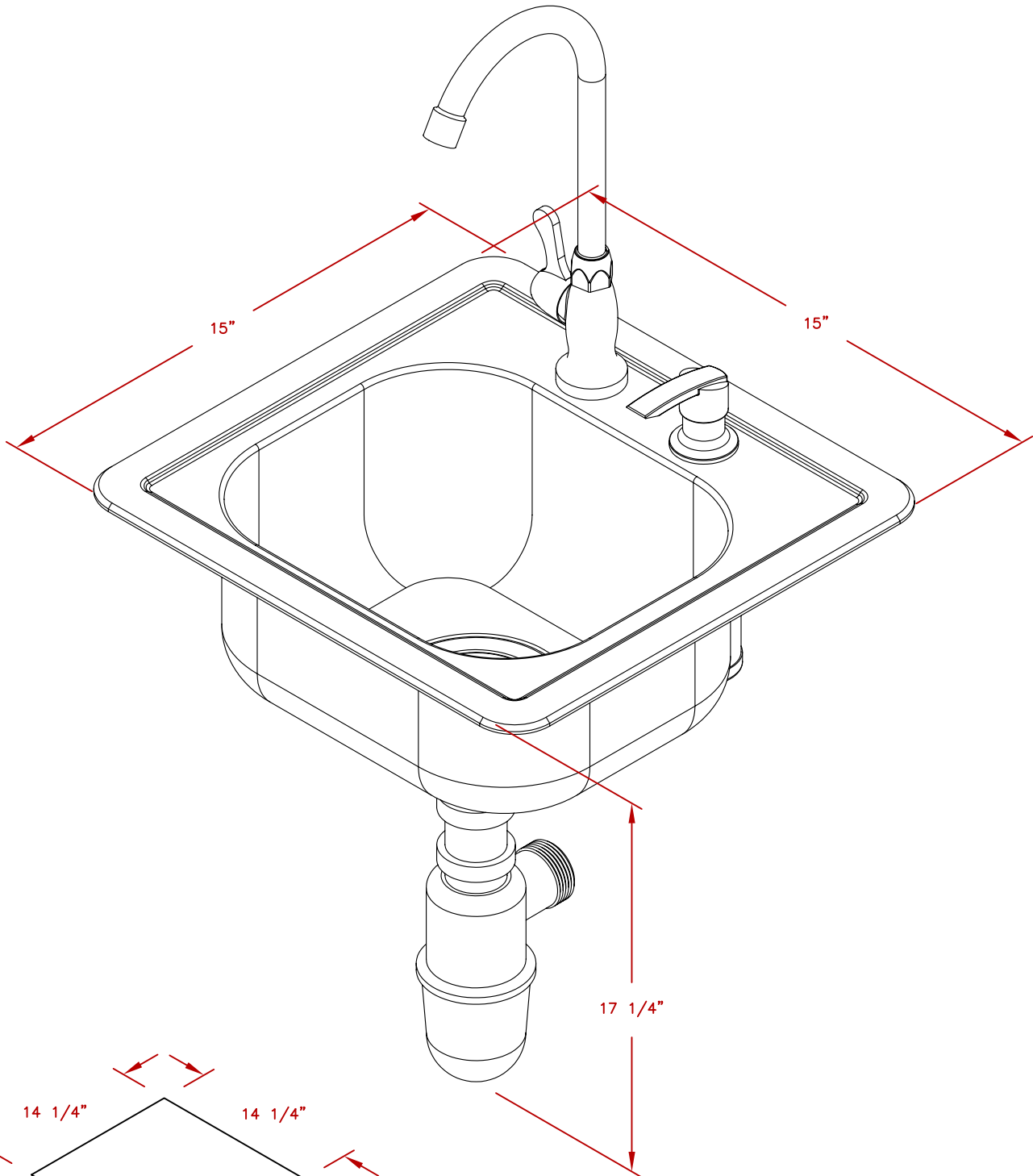


NOTE:
ONE FAUCET INLET ONLY

LINE	BBQ LINE
MODEL	SINK W/ SOAP DISPENSER
NUM	



CUT-OUT
DIMENSIONS



TITLE
2015 BARBECUE LINE
ACCESSORIES-DROP IN-
SINK W/ SOAP DISPENSER

SCALE:

DWG NO.
BBQ11963

DWG BY
G.GARCIA

REVISED

REV. DESCR.

DATE
01/01/15

NOTE:
DUE TO OUR CONTINUOUS IMPROVEMENT PROGRAM, ALL MODELS
AND SPECIFICATIONS ARE SUBJECT TO CHANGE WITHOUT NOTICE.